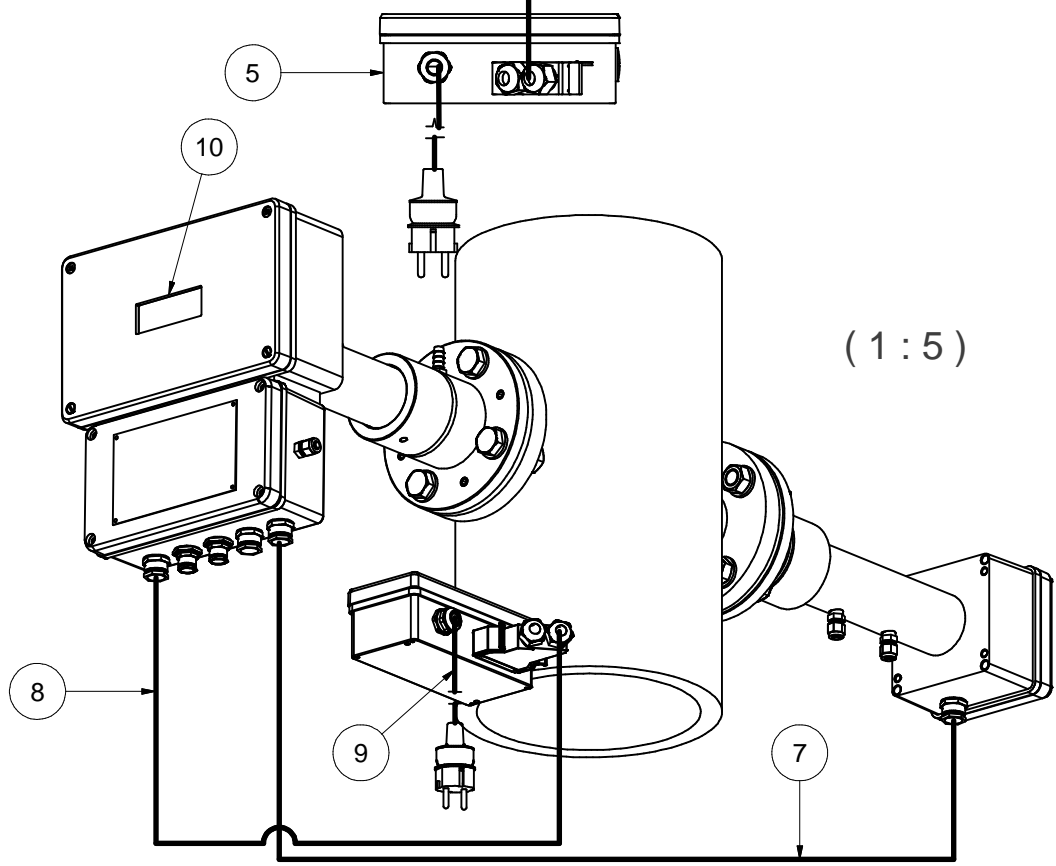


**Duct**

Parts List		
ITEM	QTY	DESCRIPTION
1	1	Transmitter unit
2	1	Receiver unit
3	2	Alignment and purging unit
4	2	Adapter ring
5	1	Power supply unit, 100-240 VAC, 50/60 Hz
6	2	Flange (made by customer)
7	1	Transmitter/Receiver cable
8	1	Power cable
9	1	Mains power cable
10	1	Display
11	2	Inlet purge gas



( 1 : 5 )

Ant.	Pos.	Emne	Prod. std.	Materiale	Kg/stk.	Merknad
A		Updated the drawing and added new text	27.07.2007 SEF			
B		Changed title text	02.04.2009 SEF			
Rev.		Change note	Date/sign.	Rev.	Change note	Date/sign.

Date: 03.08.2005	Design/drawn: svein	Approved:	Scale: 1:4 (1:5)	■ norsk elektro optikk ■ Norsk elektro optikk A/S Solheimveien 62 A P.b. 384 N-1471 Lørenskog
			Type of project: 	

With alignment and purging unit		Replacement for:	Replacement by:
LaserGas II SP Ex version (Ex p for zone 1, Ex n for zone 2)		<b>13778B</b>	Sheet: 1 / 7
Reference:	Calculation:	N:\acad\File_vault\13778A.idw	